

F-2852C

PANEL CONE SPEAKER

The F-2852C ceiling and wall-mounted speaker covers a wide area and can be used for 25, 70 and 100 V line applications. Well-balanced sound can be heard uniformly at any location.



Article number:F-2852C EU

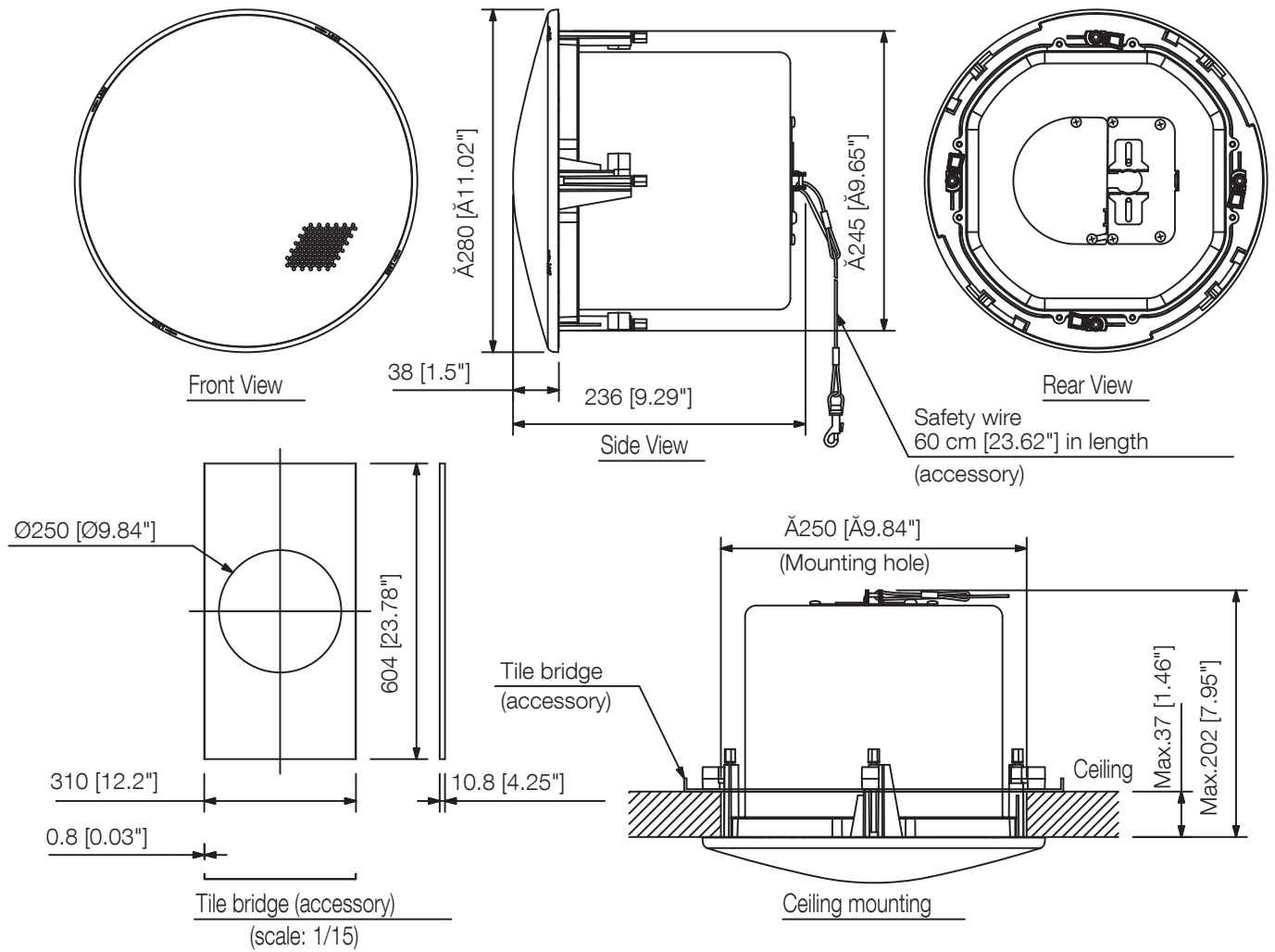
Specifications

Sensitivity (1#W, 1#m)	91 dB
Frequency response.	60 Hz - 20 kHz (-10 dB)
Tappings	60 / 30 / 15 / 3 W (100 V), 60 / 30 / 15 / 7.5 / 1.5 W (70 V), 8 Ω
Rated input (low impedance)	Continuous pink noise: 90 W (8 Ω), Continuous program: 180 W (8 Ω)
Rated impedance	8 Ω
Speaker component	Low: 16 cm cone-type, High: Dome-type
Finish.	Steel plate, Fire-resistant ABS resin (resin material grade: UL-94 V-0), cream white (RAL 9001 or equivalent),

F-2852C

PANEL CONE SPEAKER

Appearance



UNIT:mm

SCALE:1/6